

# User Manual ZBMINIR2(EN)



Zigbee Smart Switch(Neutral Wire Required)

User Manual V1.1

## Introduction

This is an extremely compact Zigbee 3.0 single-channel neutral wire switch, capable of being installed in a mounting box and supporting a maximum load of 10A, thus making ordinary switches smart. It supports a repeater function to easily improve Zigbee communication quality and can also link with other devices in smart scenarios to realize your home automation.



Remote Control



Timer Schedule



Voice Control



Smart Scene



Power-on State



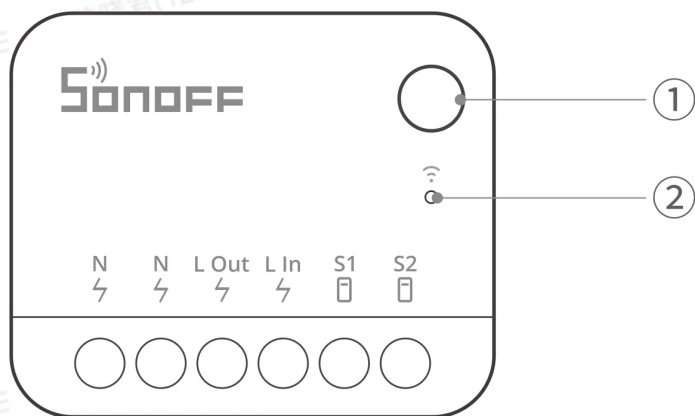
Inching Mode



Relay function



Group Control



### ① Button

- Single press: Turn on/off the smart device.
- Press and hold for 5 seconds : Device enters the pairing mode.(Pairing time 10 minutes)
- Click three times in succession: Switch the external switch type.

### ② LED indicator (Green)

- Flash slowly for 180 seconds :

First-time power on/Device is in pairing mode.

- Steady on: Normal connection with the gateway.
- Slow flash: The device is in pairing mode.
- Fast flash: Abnormal connection with the gateway.
- Flashes three times quickly: Switch the external switch trigger type.

## Compatible Voice Assistants



## Specification

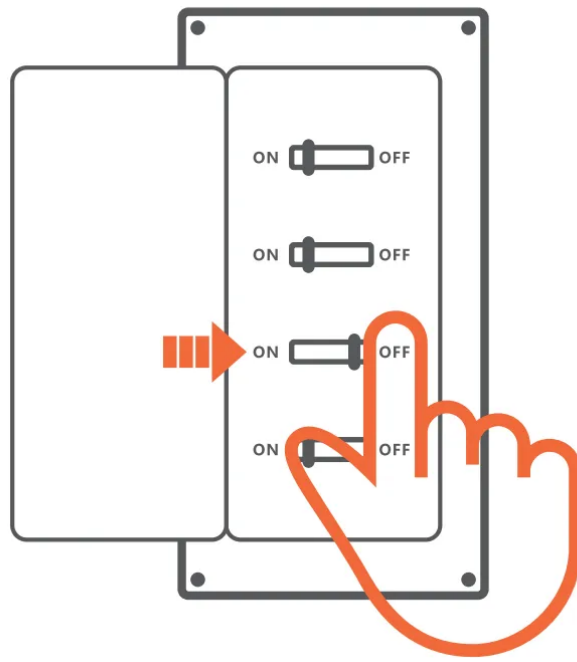
Model	ZBMINIR2
-------	----------

MCU	EFR32MG21
Rating	100–240V~ 50/60Hz 10A Max Resistive Load $\mu$
Max. Load	2400W@240V
Wireless Connectivity	Zigbee 3.0
Net Weight	26.7g
Dimension	39.5x33x16.8mm
Color	White
Casing Material	PC V0
Applicable Place	Indoor
Working Temperature	-10°C~40°C
Working Humidity	5%~95% RH, non-condensing
Working height	Less than 2000m
Certification	CE/FCC/ISED/RoHS
Executive standard	EN 60669–2–1

\*This product is only suitable for safe use at altitudes below 2000m.

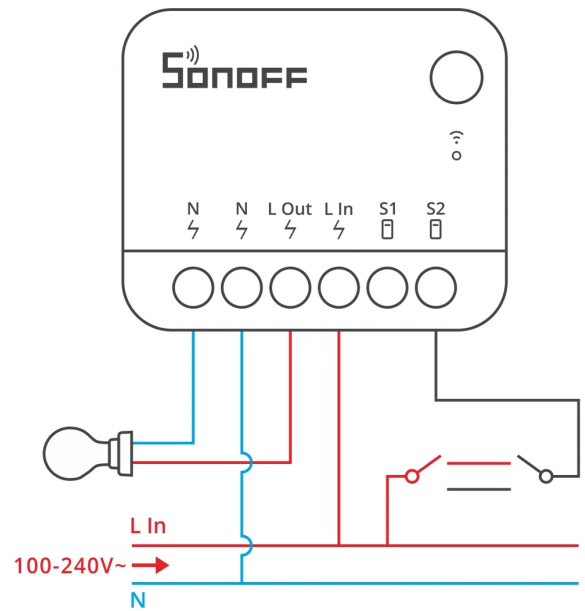
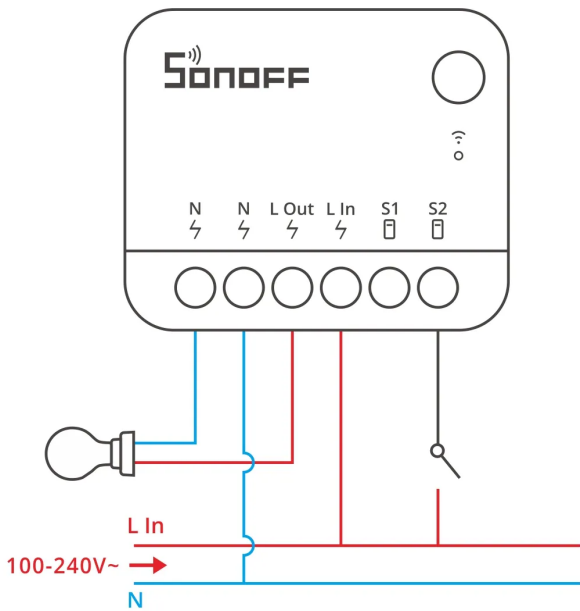
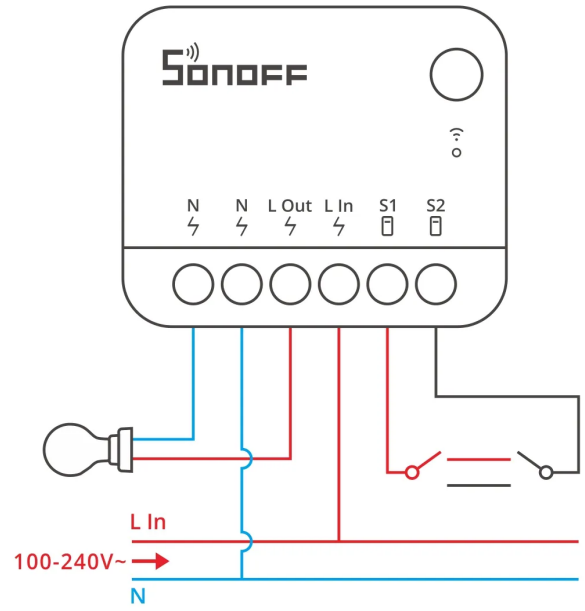
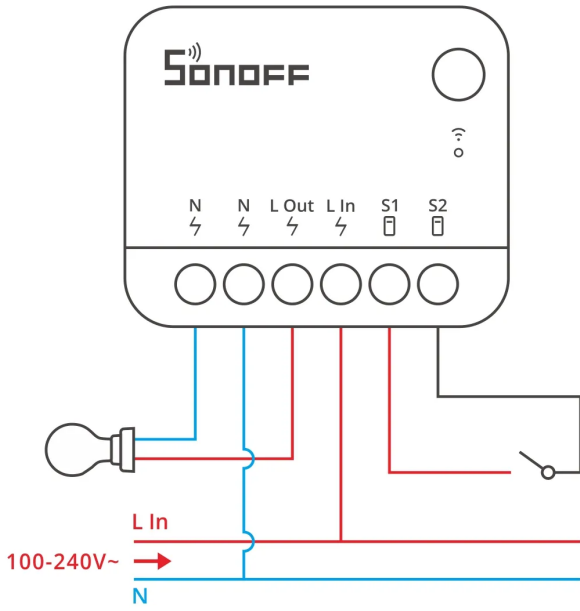
## Installation

### 1. Power off



**Warning:** Please install and maintain the device by a professional electrician. To avoid electric shock hazard, do not operate any connection or contact the terminal connector while the device is powered on!

## 2. Wiring instruction



- ① It is prohibited to connect S1 and S2 terminals to the neutral or ground wire, in order to avoid damaging the equipment and causing danger.
- ② Make sure all wires are connected correctly.
- ③ Supported switches are rocker switch and push button and factory default by supporting rocker switch.

**Method of changing the switch type:** short press the button 3 times until the green indicator flashes 3 times quickly, now you change the switch type successfully.

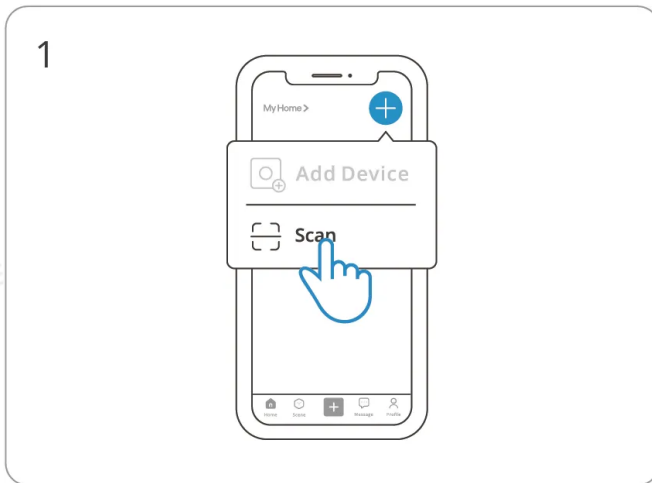
## Add Device

### 1. Download the eWeLink App & Add SONOFF Zigbee Gateway

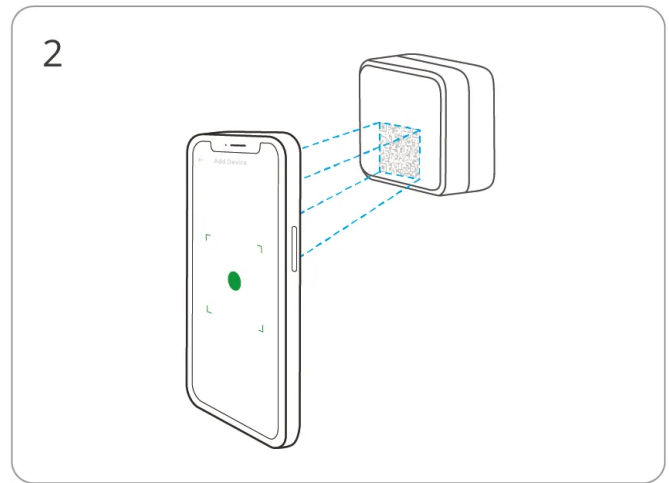
Please download the "eWeLink" App from Google Play Store or Apple App Store.



### 2. Scan QR code to add the device.



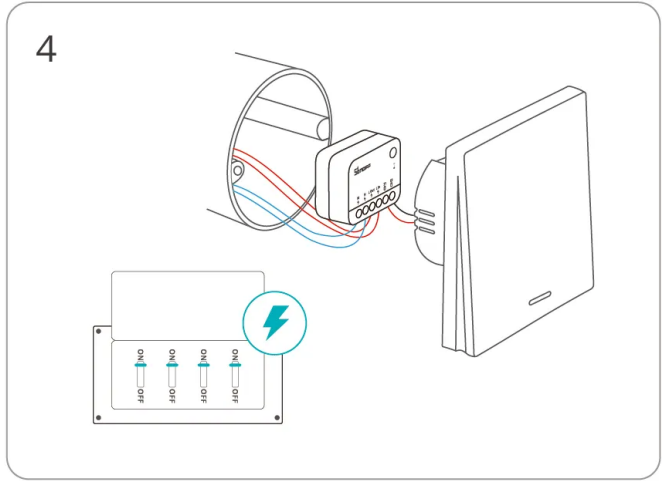
Enter "Scan"



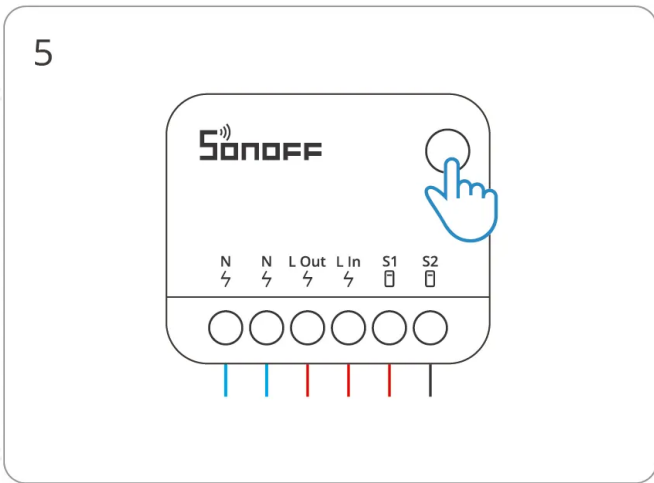
Scan the QR code on the device



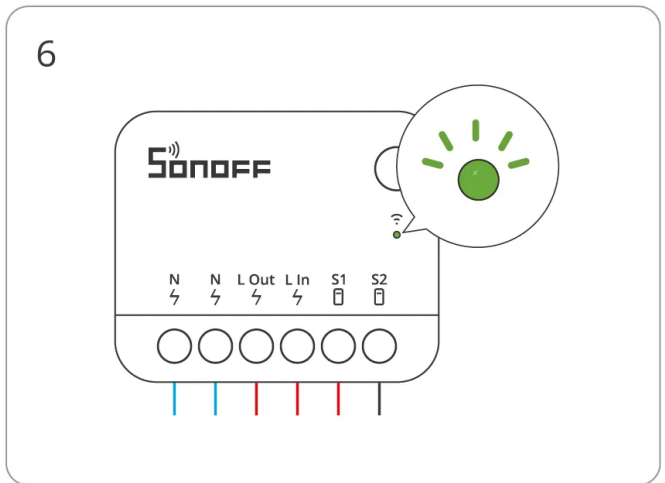
Select "Add Device"



Power on the device



Long press the button for 5 seconds



The LED indicator flashes slowly for 180s



Select Zigbee gateway



Wait until the addition is done

## Matched Gateways

Recommended SONOFF gateway models: ZBBridge-P, NSPanel Pro , iHost , ZBBridge-U

Other compatible SONOFF gateway models: ZBDongel-P, ZBDongel-E

### Third-party compatible gateway models:

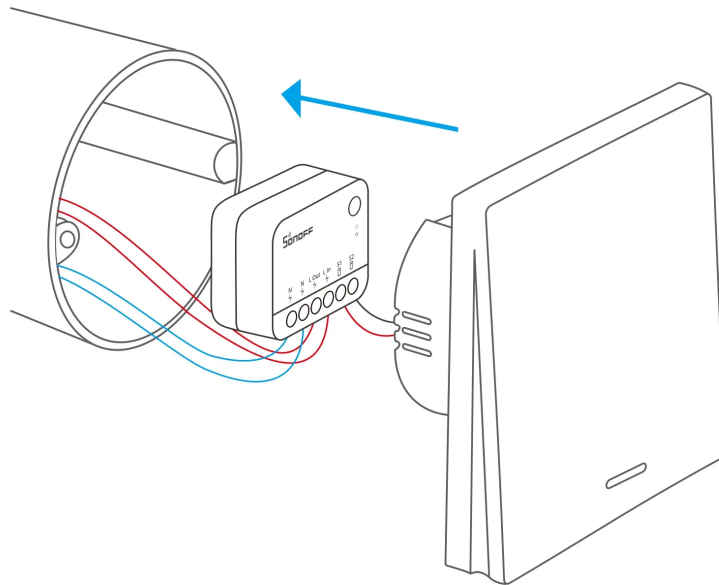
Amazon Gateway Model: Echo Plus 2nd, Echo Show 2nd, Echo 4th Gen

Samsung Gateway Model: SmartThings hub V3

Philips Gateway Model: Philips Hue Bridge

\*Other gateways supporting ZigBee3.0 wireless protocol. Detailed information is in accordance with the final product.

## Install the MINI Extreme in the mounting box.



## Factory Reset

Trigger conditions (any one condition met)

- Press and hold the device button for 5 seconds.
- Quickly press the external switch 10 times (except for the external switch type, all other settings will be restored to factory defaults).
- Delete the device on eWeLink.

To ensure the safety of your electrical installation, it's essential either a Miniature Circuit Breaker (MCB) or a Residual Current operated Circuit-breaker with Integral Overcurrent protection (RCBO) with an electrical rating of 10A has been installed before the ZBMINIR2.

## FCC Compliance Statement

1. This device complies with part 15 of the FCC Rules. Operation is subject to the following two conditions:

- (1) This device may not cause harmful interference, and
- (2) This device must accept any interference received, including interference that may cause undesired operation.

2. Changes or modifications not expressly approved by the party responsible for compliance could void the user's authority to operate the equipment.

Note: This equipment has been tested and found to comply with the limits for a Class B digital device, pursuant to part 15 of the FCC Rules. These limits are designed to provide reasonable protection against harmful interference in a residential installation. This equipment generates, uses and can radiate radio frequency energy and, if not installed and used in accordance with the instructions, may cause harmful interference to radio communications. However, there is no guarantee that interference will not occur in a particular installation. If this equipment does cause harmful interference to radio or television reception, which can be determined by turning the equipment off and on, the user is encouraged to try to correct the interference by one or more of the following measures:

- Reorient or relocate the receiving antenna.
- Increase the separation between the equipment and receiver.
- Connect the equipment into an outlet on a circuit different from that to which the receiver is connected.
- Consult the dealer or an experienced radio/TV technician for help.

FCC Radiation Exposure statement:

The device has been evaluated to meet general RF exposure requirement. This equipment should be installed and operated with a minimum distance of 20 cm between the radiator and your body.

## ISED Notice

This device contains licence–exempt transmitter(s)/receiver(s) that comply with Innovation, Science and Economic Development Canada’s licence–exempt RSS(s). Operation is subject to the following two conditions:

- (1) This device may not cause interference.
- (2) This device must accept any interference, including interference that may cause undesired operation of the device.

This Class B digital apparatus complies with Canadian ICES-003(B).

This device complies with RSS-247 of Industry Canada. Operation is subject to the condition that this device does not cause harmful interference.

L’émetteur/récepteur exempt de licence contenu dans le présent appareil est conforme aux CNR d’Innovation, Sciences et Développement économique Canada applicables aux appareils radio exempts de licence. L’exploitation est autorisée aux deux conditions suivantes :

- (1) L’appareil ne doit pas produire de brouillage;
- (2) L’appareil doit accepter tout brouillage radioélectrique subi, même si le brouillage est susceptible d’en compromettre le fonctionnement.

Cet appareil numérique de la Classe B conforme à la norme NMB-003(B) du Canada.

Cet appareil est conforme à la norme RSS - 247 d'Industrie Canada. Le fonctionnement est soumis à la condition que cet appareil ne provoque pas d'interférences nuisibles.

### ISED Radiation Exposure Statement

This equipment should be installed and operated with a minimum distance of 20 cm between the radiator and your body.

Cet équipement doit être installé et utilisé avec une distance minimale de 20 cm entre le radiateur et votre corps.

## EU Declaration of Conformity

Hereby, Shenzhen Sonoff Technologies Co., Ltd. declares that the radio equipment type ZBMINIR2 is in compliance with Directive 2014/53/EU. The full text of the EU declaration of conformity is available at the following internet address: <https://sonoff.tech/compliance/>